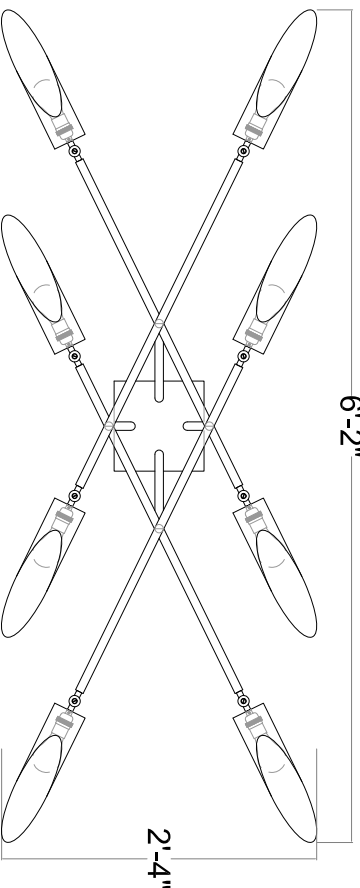


4'-0"

PLAN VIEW - LOOKING UP FROM BOTTOM



6'-2"

2'-4"



KATRICE ENTERPRISES LTD
 #101 - 190157 - 25th Ave
 Surrey, BC V2V 3V2
 604-542-7137 fax 604-542-7157

PROPRIETARY AND CONFIDENTIAL
 Information contained in this drawing is proprietary and confidential and shall remain the sole property of Katrice Enterprises Ltd. This document shall not be used, copied or reproduced in whole or in part without prior written permission of Katrice Enterprises Ltd. All prints shall be returned upon job completion unless otherwise specified in writing by Katrice Enterprises Ltd.

OCTAVE Light

Finishes:	White or Black, Brass Accents
Lamping:	E26 Socket for LED replacement bulbs 4.5 Watts/each
Lumens:	x8 @ 500 = 4,000
Color Temperature:	2700K
Dimensions:	74" x 28" x 48" high
Material Specifications:	Steel; 33 lbs
Notes:	Fully Customizable, dimmable